



## icoMR1500.24

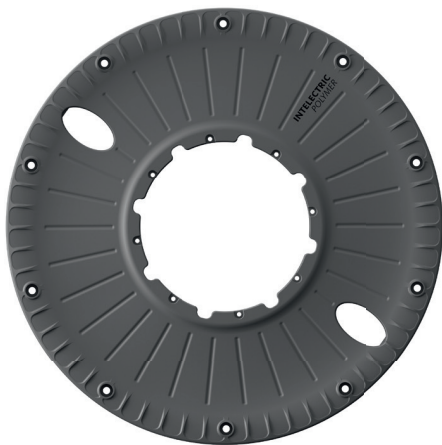
component of intelectric SHS





# icoMR1500.24

Ge1.703.051



## SPECS

Material	PA66-GF35
Surface finish	VDI-Richtlinie 3400 36
Roughness	VDI-Richtlinie 3400 36
Diameter	608 mm
Width	60 mm
Color	black
Weight	3,1 kg

## COMPATIBLE COMPONENTS

Tire (size)	ETRO 60-507 / 24 x 2.35 inch
Motor	iM1500
Brake Disk	mounted on Motor

## FOR MORE INFORMATION CONTACT US.

- > [mail@dynamic-drives-giessen.com](mailto:mail@dynamic-drives-giessen.com)
- > [www.dynamic-drives-giessen.com](http://www.dynamic-drives-giessen.com)

