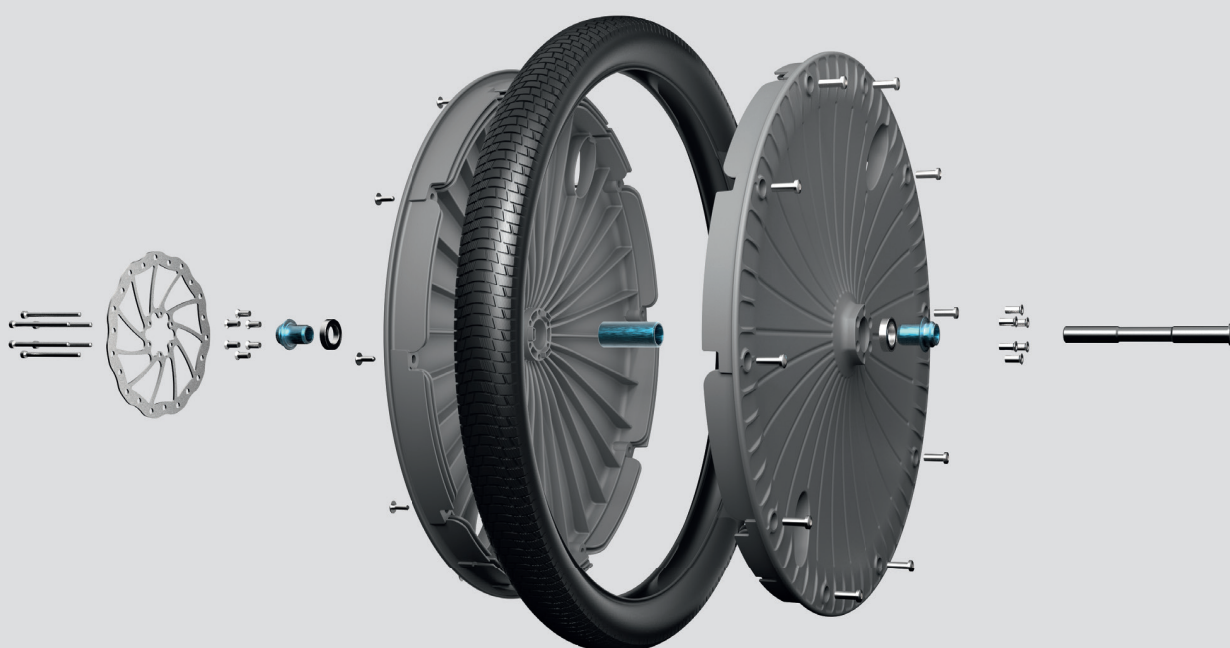




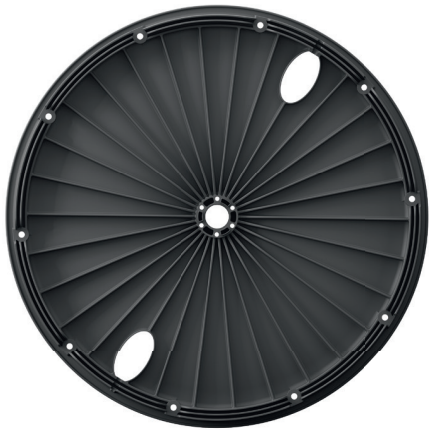
## icoFR24

component of intelectric SHS





**icoFR24**  
Ge1.703.001



**SPECS**

Material	PA66-GF35
Surface finish	VDI-Richtlinie 3400 36
Roughness	VDI-Richtlinie 3400 36
Diameter	608 mm
Width	60 mm
Color	black
Weight	3,5 kg

**COMPATIBLE COMPONENTS**

Tire (size)	ETRTO 60-507 /24 x 2.35 inch
True-Axle	M15 x 1,5, leght = 148 mm
Brake Disk	200 - 220 mm

## FOR MORE INFORMATION CONTACT US.

- > [mail@dynamic-drives-giessen.com](mailto:mail@dynamic-drives-giessen.com)
- > [www.dynamic-drives-giessen.com](http://www.dynamic-drives-giessen.com)

